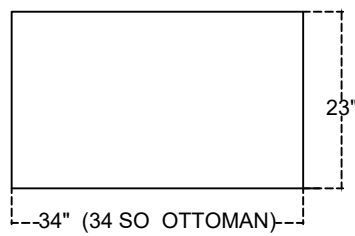
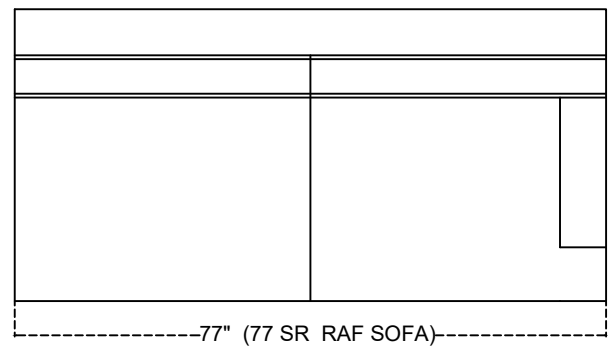
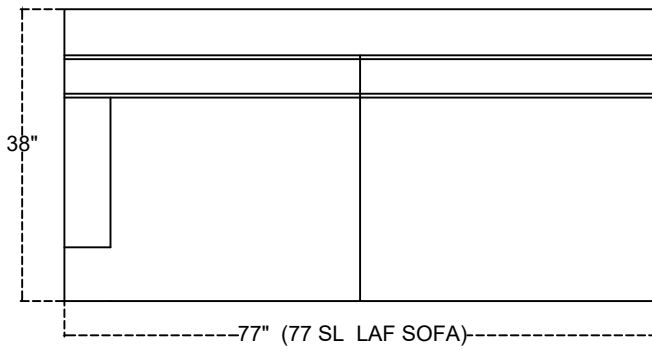
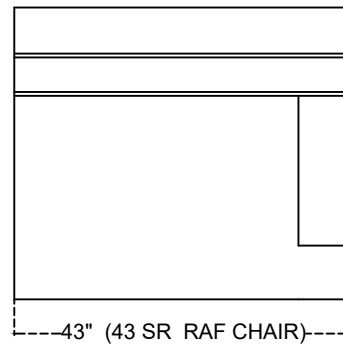
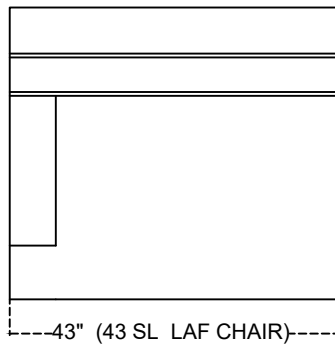
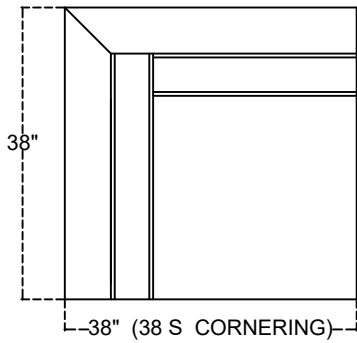
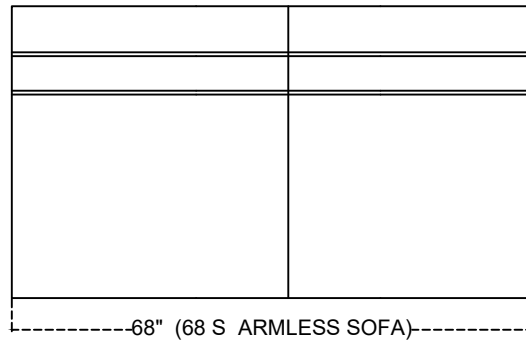
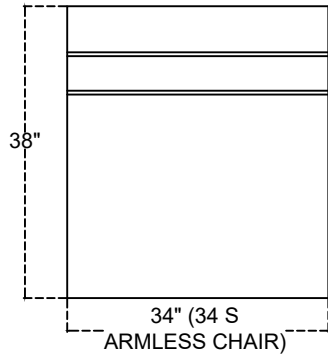


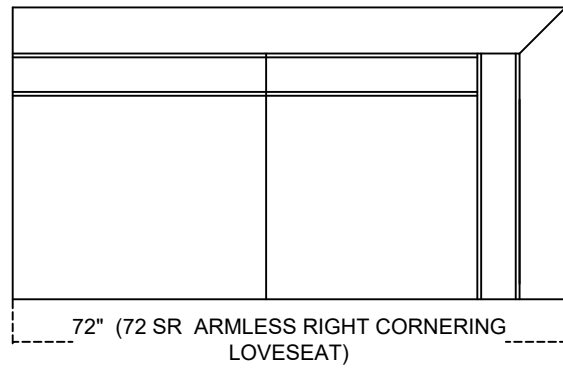
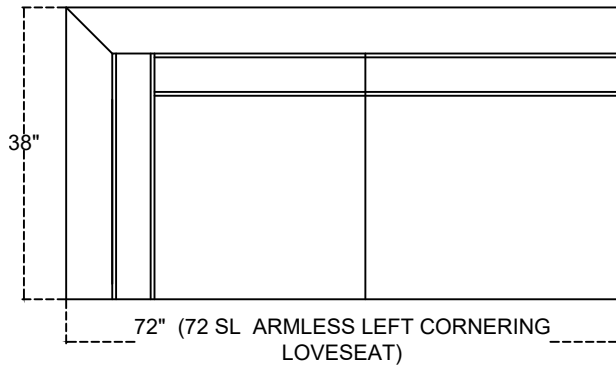
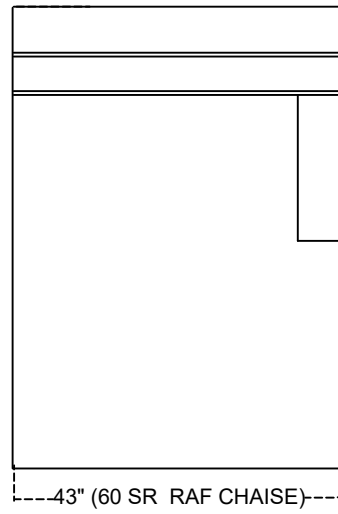
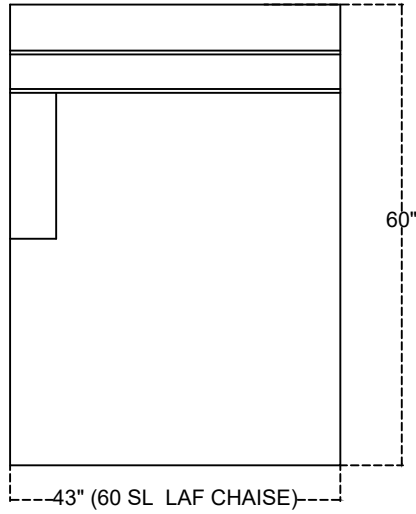


S371 DILLON 1/2



Scale 1:25

S371 DILLON 1/2



Scale 1:25